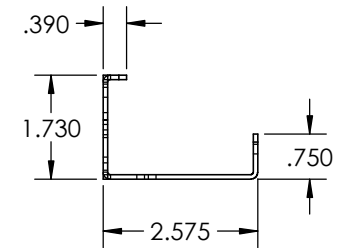
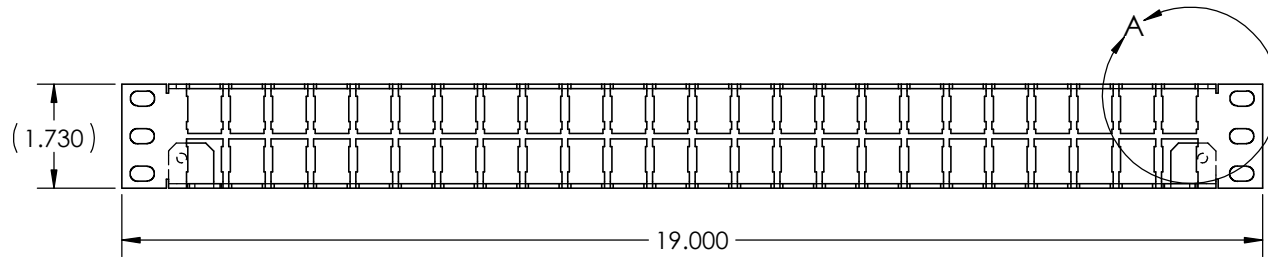
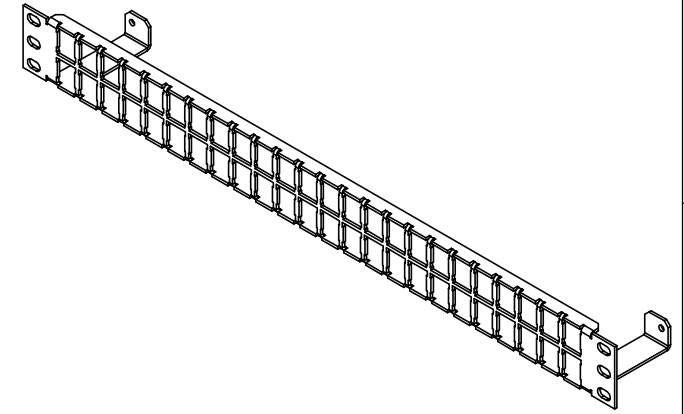
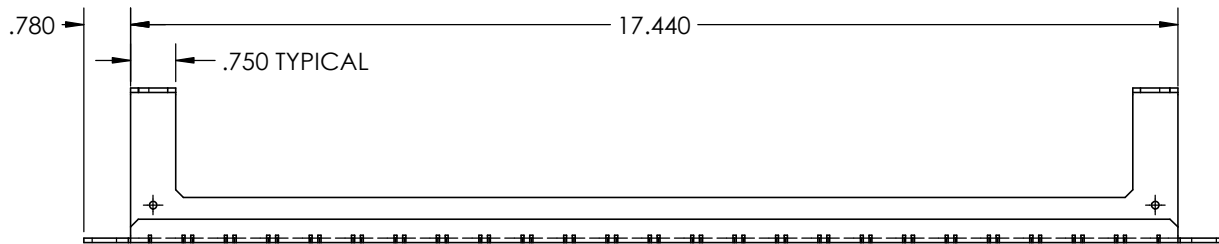


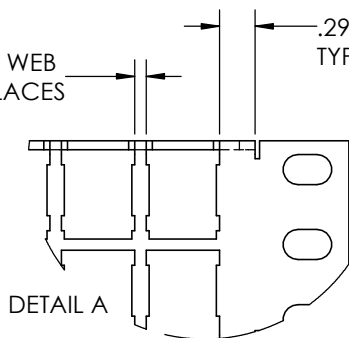
SCALE DRAWING NOT FOR BUILD

REVISIONS				
ZONE	REV.	DESCRIPTION	DATE	APPROVED



.096 WEB
23 PLACES

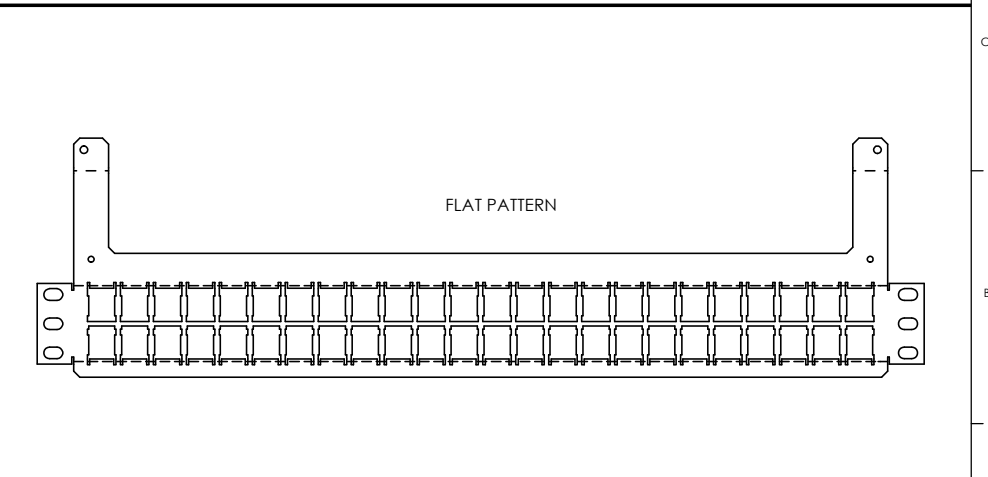
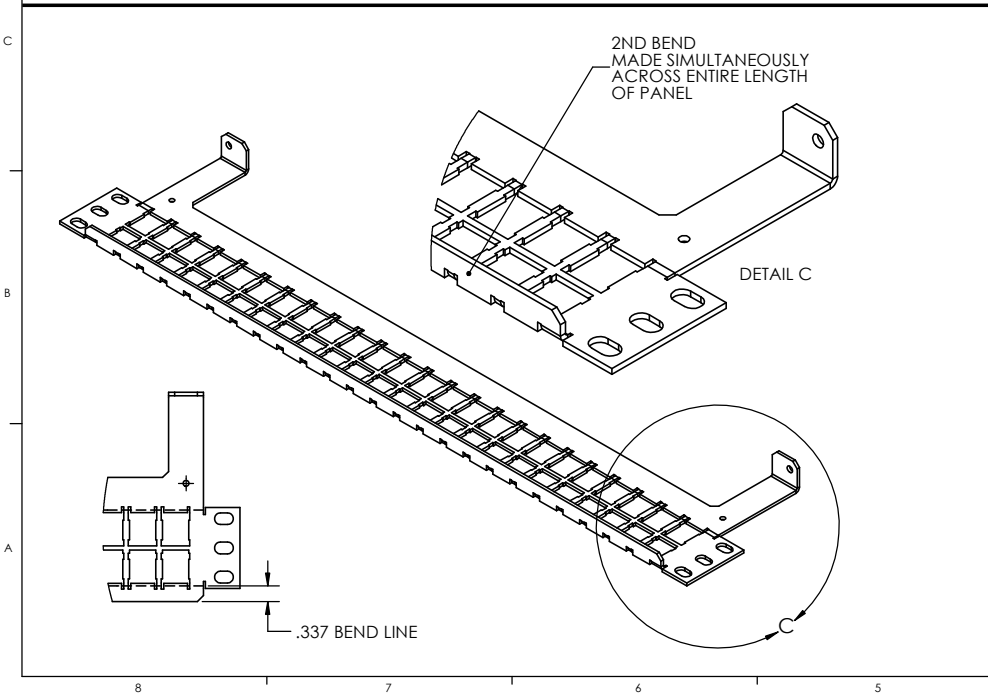
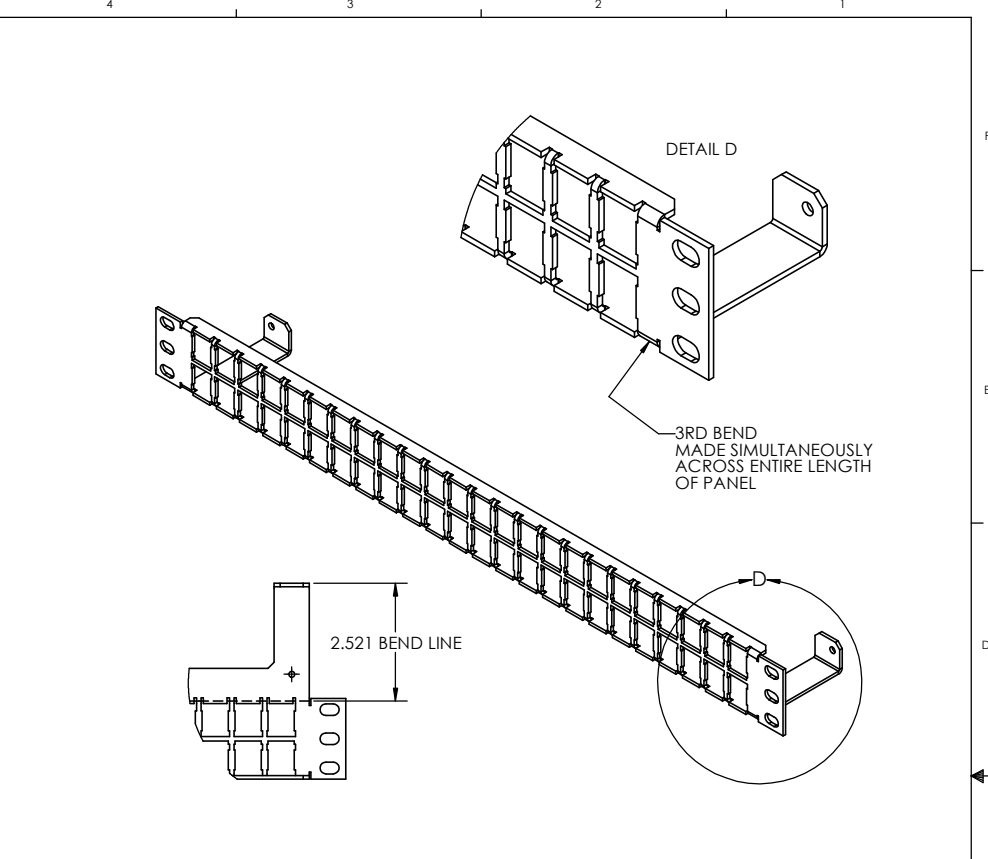
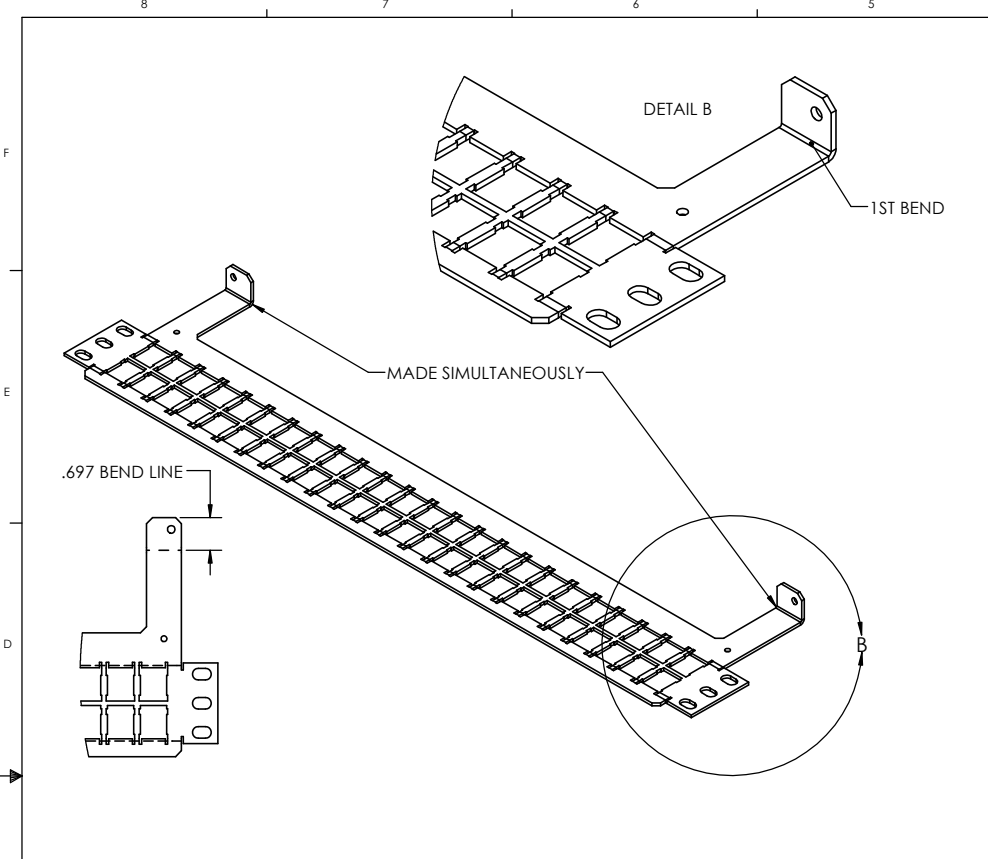
.296 WEB
TYPICAL, EACH END



PROPRIETARY AND CONFIDENTIAL
THE INFORMATION CONTAINED IN THIS DRAWING IS THE SOLE PROPERTY OF SOUND MFG., INC. ANY REPRODUCTION IN PART OR AS A WHOLE WITHOUT THE WRITTEN PERMISSION OF SOUND MFG., INC. IS PROHIBITED.

		UNLESS OTHERWISE SPECIFIED:		NAME	DATE
		DIMENSIONS ARE IN INCHES	DRAWN		8/19/2010
		TOLERANCES:	CHECKED		
		FRACTIONAL: $\pm 1/32$	ENG APPR.		
		ANGULAR: $\pm 1^\circ$	MFG APPR.		
		TWO PLACE DECIMAL: $\pm .020$	Q.A.		
		THREE PLACE DECIMAL: $\pm .010$	COMMENTS:		
		INTERPRET GEOMETRIC TOLERANCING PER:			
		MATERIAL			
		.0747 (14 GA) CRS			
NEXT ASSY	USED ON	FINISH			
		BLACK E-COAT			
		APPLICATION			
		DO NOT SCALE DRAWING			

SOUND MFG., INC			51 DONNELLEY RD OLD SAYBROOK CT 06475
TITLE: 48 PORT, 1RU PATCH PANEL			
SIZE	DWG. NO.	REV	
B	40100756 Rev00		
SCALE: 1:4	WEIGHT:	SHEET 1 OF 2	



PROPRIETARY AND CONFIDENTIAL
 THE INFORMATION CONTAINED IN THIS DRAWING IS THE SOLE PROPERTY OF SOUND MFG., INC. ANY REPRODUCTION IN PART OR AS A WHOLE WITHOUT THE WRITTEN PERMISSION OF SOUND MFG., INC. IS PROHIBITED.

UNLESS OTHERWISE SPECIFIED:		NAME	DATE
DIMENSIONS ARE IN INCHES		DRAWN	8/19/2010
TOLERANCES:		CHECKED	
FRACTIONAL: $\pm 1/32$		ENG APPR:	
ANGULAR: 1°		MFG APPR:	
TWO PLACE DECIMAL: $\pm .020$		Q.A.	
THREE PLACE DECIMAL: ± 0.10		COMMENTS:	
INTERPRET GEOMETRIC TOLERANCING PER:			
MATERIAL			
.0747 (14 GA) CRS			
FINISH			
BLACK E-COAT			
NEXT ASSY	USED ON		
APPLICATION	DO NOT SCALE DRAWING		

Sound Mfg., Inc. Old Saybrook, CT 06477
 Phone: 860-388-4446 Fax: 860-388-4888

TITLE:
48 PORT, 1RU PATCH PANEL

SIZE DWG. NO. REV
C 40100756 Rev00

SCALE: 1:4 WEIGHT: SHEET 2 OF 2